

CURTAIN-Mini

Miniature indoor intrusion detector with curtain field-of-view

FEATURES

- Creates a super narrow protective screen of 3° .
- Adjustable PIR detection sensitivity.
- Auto temperature compensation.
- Automatic adaptation to background noise.
- A/D signal analyzer.
- Powerful microprocessor controlled.
- SPC - Smart Processing Controller.
- High level of RFI/EMI immunity.
- "Optomos" relay for lifetime operation.
- 90° Mounting bracket (provided).
- For indoor use only.

CONGRATULATIONS

We thank you for choosing a product of **MAXIMUM Security (1984) Ltd.**

Based on over 30 years experience in R&D and in production of advanced security systems, we are proud to introduce to you an advanced miniature indoor motion detector for indoor use.

To ensure proper operation and maximum use of all its benefits, please read all parts of this installation and operating manual, and follow the step-by-step instructions.

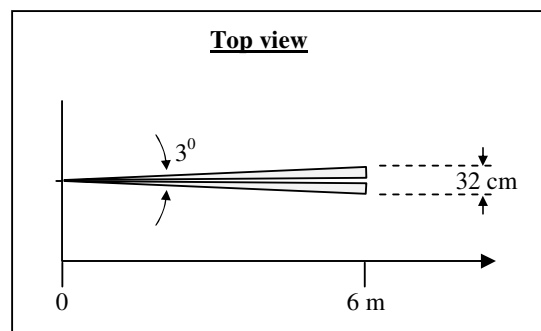
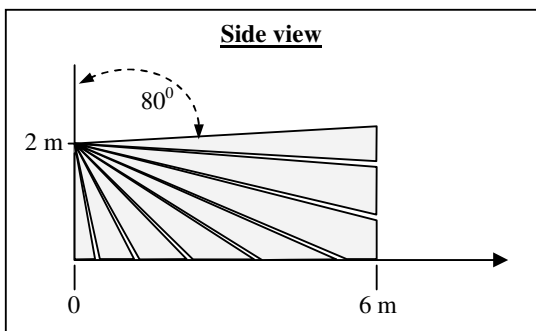
INTRODUCTION

CURTAIN-Mini creates a super narrow protective screen of 3° (like a curtain) to secure openings and open fields against intruders.

This type of protection allows free movement of people within the protected site- without setting off an alarm.

CURTAIN-Mini designed for indoors operation only.

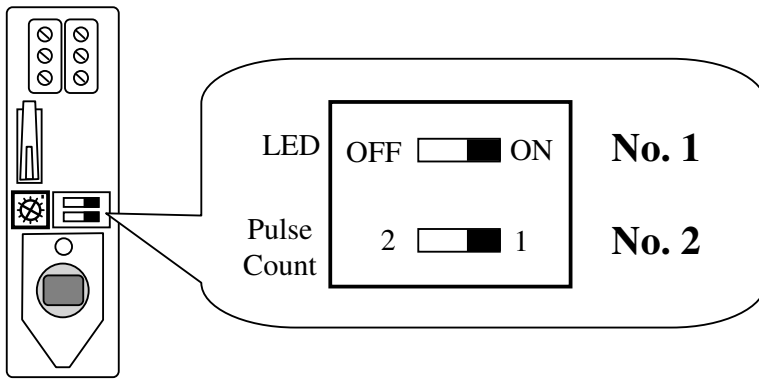
DETECTOR'S FIELD-OF-VIEW DIAGRAMS



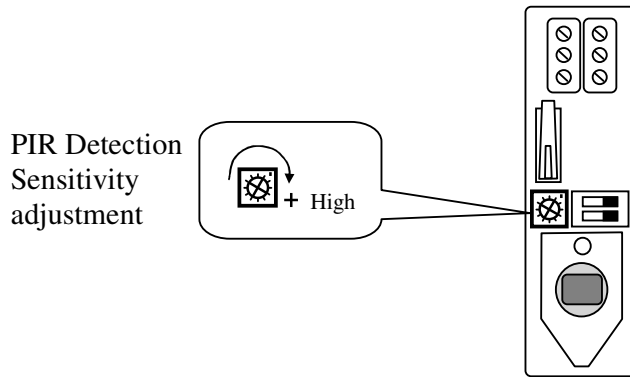
MAXIMUM Security (1984) Ltd.

www.maximum.co.il

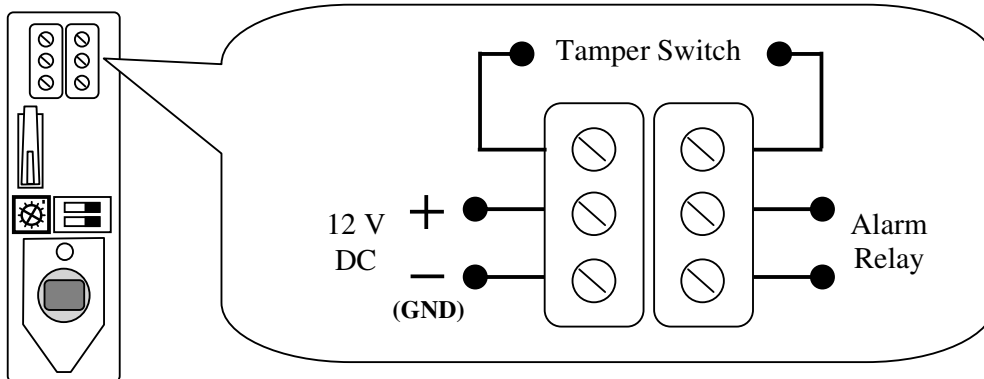
DIP SWITCH ADJUSTMENT



PIR DETECTION SENSITIVITY ADJUSTMENT



TERMINAL BLOCK WIRING



SPECIFICATIONS

- * Power supply..... 12V DC
- * Current drain..... Standby: 8 mA (Max.); Operation: 14 mA (Max.)
- * Alarm relay contacts endurance..... 15V DC / 20 mA
- * TAMPER Switch endurance..... 24V DC / 0.1A
- * Warm-up time..... 1 Minute
- * Alarm period..... 2 Seconds
- * Operating Temperature..... (-)37 ~ (+)70°C