



Single Door Magnetic Lock(Waterproof)



YLI ELECTRONIC

Specification

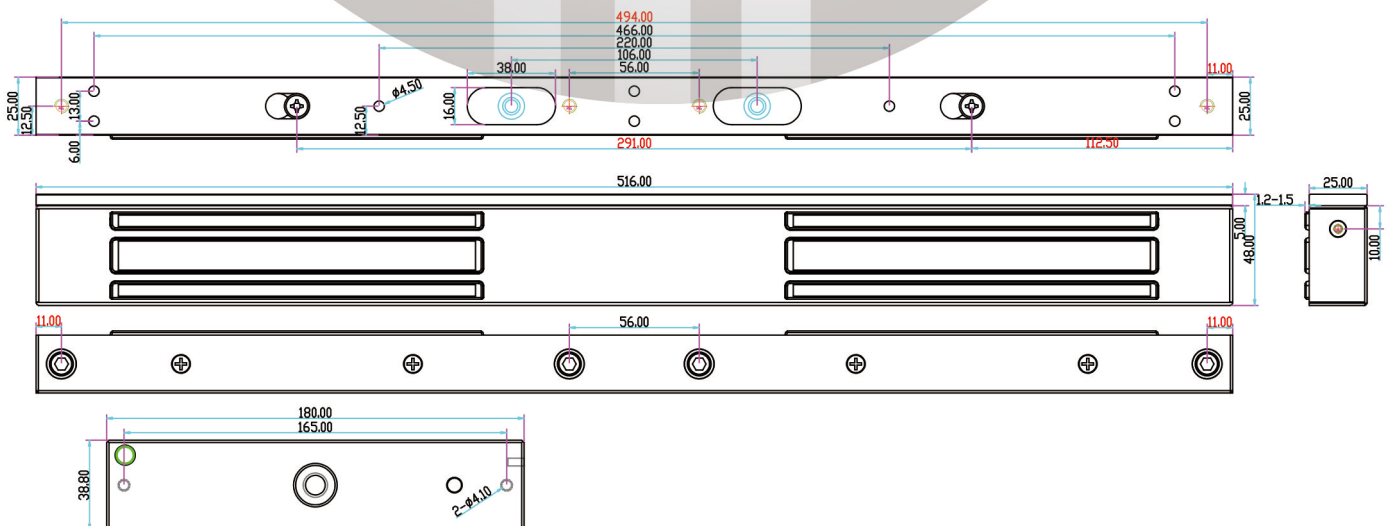
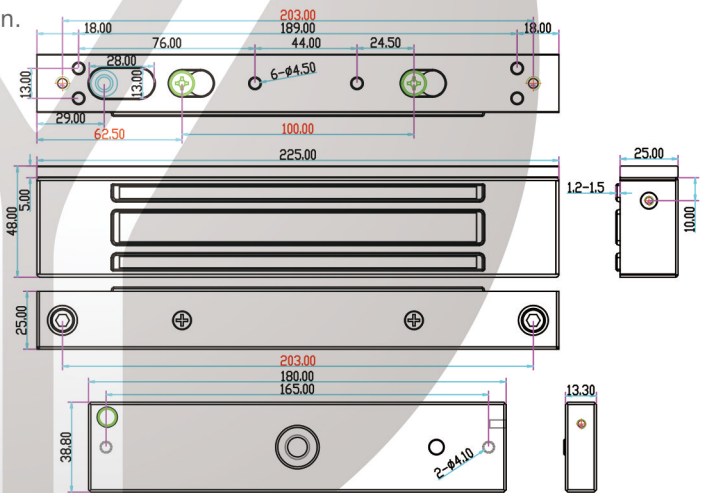
Model	YM-280W-S(SS304)	YM-280DW-S(SS304)
Dimension	225Lx48Wx35H(mm)	516Lx48Wx35H(mm)
Armature plate	180Lx33.2Wx13.2H(mm)	180Lx33.2Wx13.2H(mm)
Voltage	DC12V (Adjustable DC24V)	DC12V (Adjustable DC24V)
Current	12V/500mA±10% 24V/250mA±10%	12V/500mA(±10%)x2 ; 24V/250mA(±10%)x2
Holding force	280kg(600Lbs)	280kg(600Lbs)x2
Signal output	Lock signal(NO/COM)	Lock signal(NO/COM)
Cover finish	Stainless Steel	Stainless Steel
Suitable for	Wooden door , Metal door , Fireproof door	Wooden door , Metal door , Fireproof door
IP rate	IP-68	IP-68
Operating temp	-20~+55℃(14-131F)	-20~+55℃(14-131F)
Weight	2.1kg	4.2kg

Dimension(unit:mm)



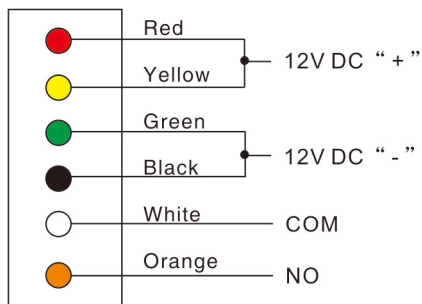
Notice: Please read the following instructions before installation.

- Please handle the lock carefully. Any damage of the surface or the armature plate will reduce the magnetic force.
- Fix the lock on the door frame and the armature plate on the door leaf. The accessories can provide better conjunction to the lock and the armature plate.
- Please keep the door closed when you drill holes.
- Fasten the screws of the lock.
- The limit value of the reed switch of the lock signal detection is 0.5A/30V DC. Don't overload.
- Make sure the armature plate can be slightly shaken when locked, for the rubber washer need some spaces to adjust the position of the armature plate and the lock.
- Please select the correct wiring for DC 12V or DC 24V voltage input.

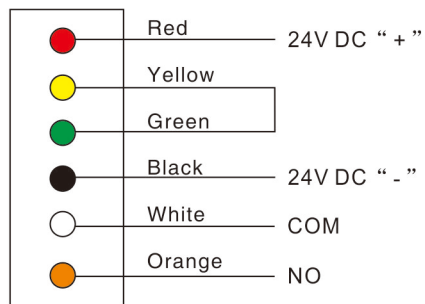


Circuit Board Diagram

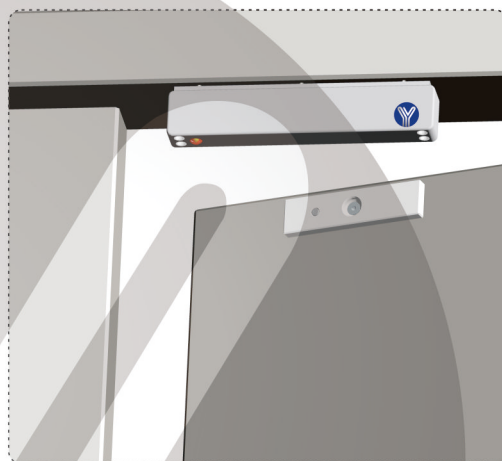
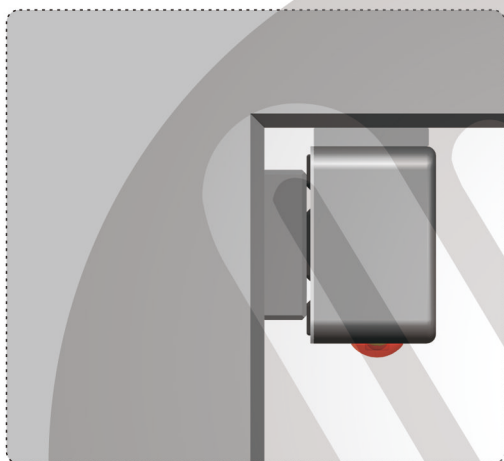
A. 12V DC Input



B. 24V DC Input



Installation Instruction



Wire Connection

