



ZEOS-AD

INTELLIGENT ADDRESSABLE FIRE DETECTORS



The ZEOS-AD series of Intelligent addressable detectors have been designed to be fully compatible with the GFE's addressable fire alarm control panels, JUNO NET, JUNIOR, GEKKO, OCTO+ and G-One.

The ZEOS detector range, in conjunction with GFE's panels, contains algorithms that can accommodate several Alarm thresholds and timed options in combined smoke and heat detector variants. Certified to EN54-5 and EN54-7 the ZEOS-AD series detectors are available in optical, heat and combined smoke/heat detector versions. Optionally they can be fitted with a short-circuit loop isolator.

KEY FEATURES

- Dual polling LEDs with 360° visibility
- Advanced detection digital communication protocols
- Insect protection with metallic strips
- Easy installation and maintenance
- Sleek low-profile housing
- SMD circuit board design
- High quality and reliability guaranteed

TECHNICAL SPECIFICATIONS

SUPPLY VOLTAGE	Loop Powered 17-30V DC
CURRENT - QUIESCENT	450 uA máx.
CURRENT - DEVICE IN ALARM	4 mA - Alarm LED illuminated
SENSITIVITY / TEMPERATURE / ISOLATOR	According to EN54-5 or/and EN54-7, EN54-17
CABLE SIZE	0.5-2.5 mm ²
RESET/START-UP TIMES	20 seconds max.
IP RATING / COLOUR / CASE MATERIAL	IP20 / White or Black / ABS
HUMIDADE RELATIVA MÁXIMA	95% RH Non-Condensing
NORMAL / TRANSIENT OPER. TEMPERATURE	0°C a 50°C / -10°C a 85°C
DIMENSIONS / WEIGHT	100 (D) x 46.4 (A) mm included base / 92g without base and 144g inc. base
COMPATIBILITY	All GFE addressable systems
INSTALLATION	Ceiling mounting

For EN54-13 compliance, please check the control panel manual specifications.



© 240201

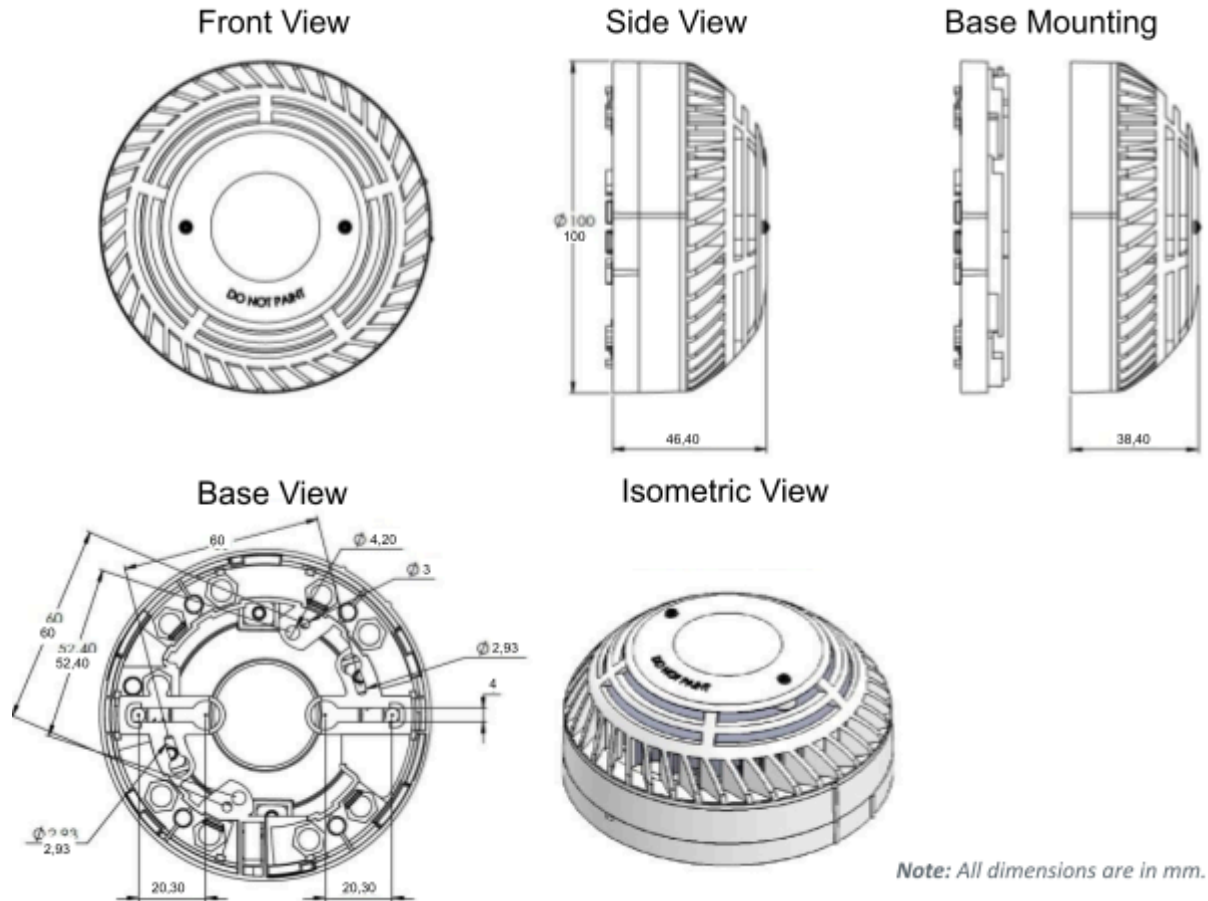
Global Fire Equipment SA

Sítio da Barracha, Parque Industrial Municipal Caixa Postal 610-A, 8150-017 São Brás de Alportel, Portugal
Telephone: (00351) 289 896 560 / **Email:** info@globalfire-equipment.com / **Web:** www.globalfire-equipment.com



GSS GROUP

DIMENSIONS



ORDER CODE

ZEOS-AD-S	ADDRESSABLE PHOTOELECTRIC SMOKE DETECTOR	1328-CPR-0521
ZEOS-AD-H	ADDRESSABLE TEMPERATURE/HEAT DETECTOR	1328-CPR-0520
ZEOS-AD-SH	ADDRESSABLE COMBINED SMOKE & HEAT DETECTOR	1328-CPR-0519
ZEOS-AD-SI	ADDRESSABLE PHOTOELECTRIC TEMPERATURE/HEAT DETECTOR W/ ISOLATOR	1328-CPR-0607
ZEOS-AD-HI	ADDRESSABLE TEMPERATURE/HEAT DETECTOR W/ ISOLATOR	1328-CPR-0610
ZEOS-AD-SHI	ADDRESSABLE COMBINED SMOKE & HEAT DETECTOR W/ ISOLATOR	1328-CPR-0492



15

© 240201

Global Fire Equipment SA

Sítio da Barracha, Parque Industrial Municipal Caixa Postal 610-A, 8150-017 São Brás de Alportel, Portugal
 Telephone: (00351) 289 896 560 / Email: info@globalfire-equipment.com / Web: www.globalfire-equipment.com



GSS GROUP