



ZEOS-AS

INTELLIGENT ADDRESSABLE FIRE DETECTORS WITH SMART ADDRESSING



The ZEOS-AS series of Intelligent Addressable Detectors have been designed to be fully compatible with GFE's addressable fire alarm control panels JUNO NET, JUNIOR, GEKKO, OCTO+ and G-One.

The ZEOS detector range, in conjunction with GFE's panels, contains algorithms that can accommodate several Alarm thresholds and timed options in combined smoke and heat detectors variants.

The ZEOS-AS series is certified to EN54-5 and EN54-7 and consists of combined photoelectric smoke and heat detectors. Optionally they can be fitted with a short-circuit loop isolator. The ZEOS-AS range of fire detectors is not addressed using a D.I.L. switch, it uses instead GFE's proprietary Smart Addressing Mechanism (SAM). The address can be set either by using GFE's intelligent device programmer or alternatively, when used in conjunction with GFE's range of Intelligent Addressable Fire Detection Panels, GFE's automatic address setting mode ASET.

KEY FEATURES

- Dual LEDs for 360° visibility
- Advanced detection and communication protocols
- Easy installation and maintenance
- Sleek low-profile housing
- Durable sensor head, no need for replacement
- SMD circuit board design
- High quality and reliability guaranteed

TECHNICAL SPECIFICATIONS

SUPPLY VOLTAGE	Loop Powered 17-30V DC
CURRENT - QUIESCENT	450 uA máx.
CURRENT - DEVICE IN ALARM	4 mA - Alarm LED illuminated
SENSITIVITY / TEMPERATURE / ISOLATOR	According to EN54-5 or/and EN54-7, EN54-17
CABLE SIZE	0.5-2.5 mm ²
RESET/START-UP TIMES	20 seconds max.
IP RATING / COLOUR / CASE MATERIAL	IP20 / White or Black / ABS
MAX. HUMIDITY	95% RH Non-Condensing
NORMAL / TRANSIENT OPER. TEMPERATURE	0°C a 50°C / -10°C a 85°C
DIMENSIONS / WEIGHT	100 (D) x 46.4 (A) mm included base / 92g without base and 144g inc. base
COMPATIBILITY	All GFE addressable systems
INSTALLATION	Ceiling mounting

For EN54-13 compliance, please check the control panel manual specifications.



© 240201

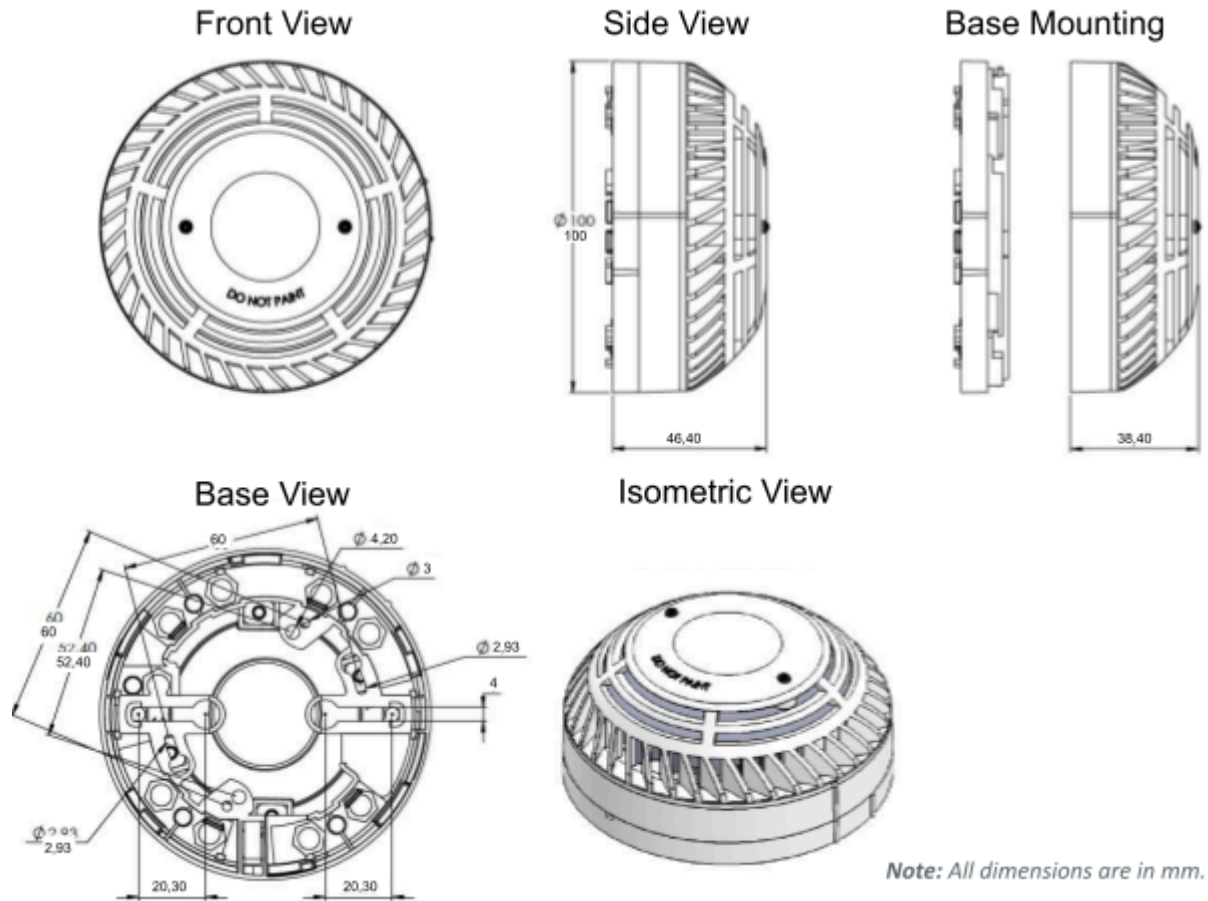
Global Fire Equipment SA

Sítio da Barracha, Parque Industrial Municipal Caixa Postal 610-A, 8150-017 São Brás de Alportel, Portugal
Telephone: (00351) 289 896 560 / **Email:** info@globalfire-equipment.com / **Web:** www.globalfire-equipment.com



GSS GROUP

DIMENSIONS



ORDER CODE

ZEOS-AS-S	ANALOGUE ADDRESSABLE PHOTOELECTRIC SMOKE DETECTOR WITH SMART ADDRESSING	1328-CPR-0526
ZEOS-AS-H	ANALOGUE ADDR. TEMPERATURE/HEAT DETECTOR WITH SMART ADDRESSING	1328-CPR-0527
ZEOS-AS-SH	ANALOGUE ADDR. COMBINED SMOKE & HEAT DETECTOR WITH SMART ADDRESSING	1328-CPR-0525
ZEOS-AS-SI	ANALOGUE ADDR. PHOTOELECTRIC SMOKE DETECTOR W/ ISOLATOR & SMART ADDRESSING	1328-CPR-0609
ZEOS-AS-HI	ANALOGUE ADDR. TEMPERATURE/HEAT DETECTOR W/ ISOLATOR & SMART ADDRESSING	1328-CPR-0608
ZEOS-AS-SHI	ANALOGUE ADDR. COMBINED SMOKE & HEAT DETECTOR W/ ISOLATOR & SMART ADDRESSING	1328-CPR-0524

CE
15

© 240201

Global Fire Equipment SA

Sítio da Barracha, Parque Industrial Municipal Caixa Postal 610-A, 8150-017 São Brás de Alportel, Portugal
 Telephone: (00351) 289 896 560 / Email: info@globalfire-equipment.com / Web: www.globalfire-equipment.com