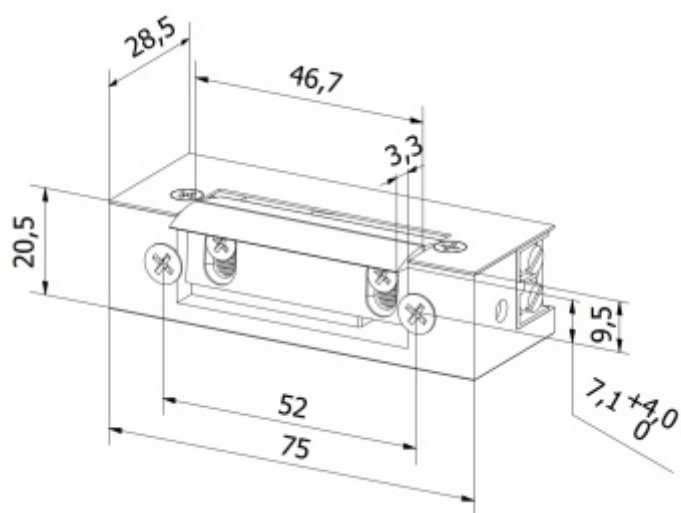


Hartte S-series



Electric strikes S-series are the most universal electric strikes in all respects. They have symmetrical housing, adjustable latch in the range of 4 mm and a number of additional options and functions. They are used in wooden, steel, aluminum and PVC doors in public and private buildings, applied in access control systems in offices, commercial and industrial buildings as well as in multi-residential buildings.

Characteristic:

- fail-secure (NC normally closed) or fail-safe (NO normally open)
- symmetric housing
- size: width 20,5mm, height 75mm, depth 28,5mm, size of version with door status monitoring (M): 20,5mm x 81,8mm x 29mm
- mechanical strength - break-in resistance 3500 N (350kg)
- mechanical strength - opening cycles 200.000
- DIN-left and DIN-right doors
- adjustable latch up to 4mm

Models of HARTTE S-series:

- normally closed
- with hold-open function
- with mechanical unlocking
- with hold-open and mechanical unlocking function
- NO (normally open)
- low-consumption
- for continuous working 100%ED

Above models available with door status monitoring (M).

Electric specification

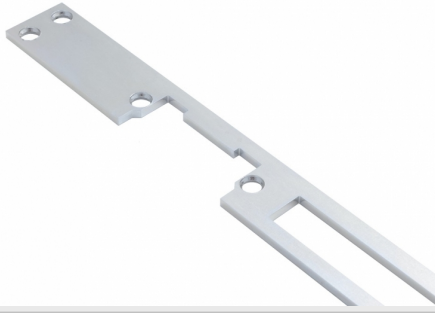


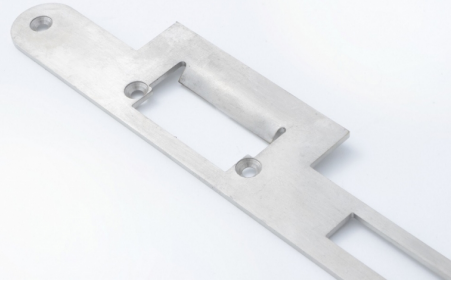
	12AC/DC	12DC	12DC NO	24AC/DC	24DC	24DC NO
Index	S12U	S12N	S12R	S24U	S24N	S24R
Voltage tolerance (V)	10-14	10-14	10-14	AC 21-26 DC 20-26	20-26	20-26
Resistance (Ohm)	21	38	63	130	150	250
Power consumption AC (mA)	400	-	-	130	-	-
Power consumption DC (mA)	570	320	190	180	160	100
Continuously powered (100%ED)	no	no	yes	no	no	yes

Available models

Index	Type	Voltage		Current		Work type		Functions					Housing	Latch	
		12V	24V	AC	DC	NC	NO	Mechanical unlocking	Hold-open	Monitoring	Varistor	Strengthen spring			Latch bolt guide
S12U	standard	●		●	●	●								symmetric	adjustable
S12UP	standard	●		●	●	●			●					symmetric	adjustable
S12UW	standard	●		●	●	●		●						symmetric	adjustable
S12UPW	standard	●		●	●	●		●	●					symmetric	adjustable
S12N	low-consumption	●			●	●								symmetric	adjustable
S12NP	low-consumption	●			●	●			●					symmetric	adjustable
S12NW	low-consumption	●			●	●		●						symmetric	adjustable
S12NPW	low-consumption	●			●	●		●	●					symmetric	adjustable
S12E	continuously powered 100%ED	●			●	●								symmetric	adjustable
S12R	fail-safed (NO)	●			●		●							symmetric	adjustable
S24U	standard		●	●	●	●								symmetric	adjustable
S24UP	standard		●	●	●	●			●					symmetric	adjustable
S24UW	standard		●	●	●	●		●						symmetric	adjustable
S24UPW	standard		●	●	●	●		●	●					symmetric	adjustable
S24N	low-consumption		●		●	●								symmetric	adjustable
S24NP	low-consumption		●		●	●			●					symmetric	adjustable
S24NW	low-consumption		●		●	●		●						symmetric	adjustable
S24NPW	low-consumption		●		●	●		●	●					symmetric	adjustable
S24E	continuously powered 100%ED		●		●	●								symmetric	adjustable
S24R	fail-safed (NO)		●		●		●							symmetric	adjustable
S12UM	standard	●		●	●	●				●				symmetric	adjustable
S12UPM	standard	●		●	●	●			●	●				symmetric	adjustable
S12UWM	standard	●		●	●	●		●		●				symmetric	adjustable
S12UPWM	standard	●		●	●	●		●	●	●				symmetric	adjustable
S12NM	low-consumption	●			●	●				●				symmetric	adjustable
S12NPM	low-consumption	●			●	●			●	●				symmetric	adjustable
S12NWM	low-consumption	●			●	●		●		●				symmetric	adjustable
S12NPWM	low-consumption	●			●	●		●	●	●				symmetric	adjustable
S12EM	continuously powered 100%ED	●			●	●			●					symmetric	adjustable
S12RM	fail-safed (NO)	●			●		●			●				symmetric	adjustable
S24UM	standard		●	●	●	●				●				symmetric	adjustable
S24UPM	standard		●	●	●	●			●	●				symmetric	adjustable
S24UWM	standard		●	●	●	●		●		●				symmetric	adjustable
S24UPWM	standard		●	●	●	●		●	●	●				symmetric	adjustable
S24NM	low-consumption		●		●	●				●				symmetric	adjustable
S24NPM	low-consumption		●		●	●			●	●				symmetric	adjustable
S24NWM	low-consumption		●		●	●		●		●				symmetric	adjustable
S24NPWM	low-consumption		●		●	●		●	●	●				symmetric	adjustable
S24EM	continuously powered 100%ED		●		●	●			●					symmetric	adjustable
S24RM	fail-safed (NO)		●		●		●			●				symmetric	adjustable

[Wyjaśnienie funkcji](#)

Matching mounting elements

<p>Flat plates</p>	<ul style="list-style-type: none"> • made out of different materials: stainless steel, standard steel, anodized aluminum • polished, plated, galvanized or painted 	
<p>Angle plates</p>	<ul style="list-style-type: none"> • made out of steel or stainless steel • plated, galvanized or painted 	
<p>Boxes</p>	<ul style="list-style-type: none"> • made out of steel • galvanized or painted • front or side mounting 	
<p>Special plates with latch bolt guide securing profile</p>	<ul style="list-style-type: none"> • made out of steel or stainless steel • plated, galvanized or painted • Wykonane ze stali nierdzewnej lub zwykłej ocynkowanej, niklowanej lub lakierowanej 	
<p>Blachy do wmurowania</p>	<p>Wykonane ze stali zwykłej ocynkowanej, montowane w furtkach</p>	
<p>Mounting brackets for order</p>	<ul style="list-style-type: none"> • striking plates adapted to customer needs 	