



# P Clip

## For Signaline Linear Heat Detectors



Compatible with Signaline HD & FT  
Rapid installation  
Resistant to oils and greases  
Stainless steel and nylon construction

Fire  
detection



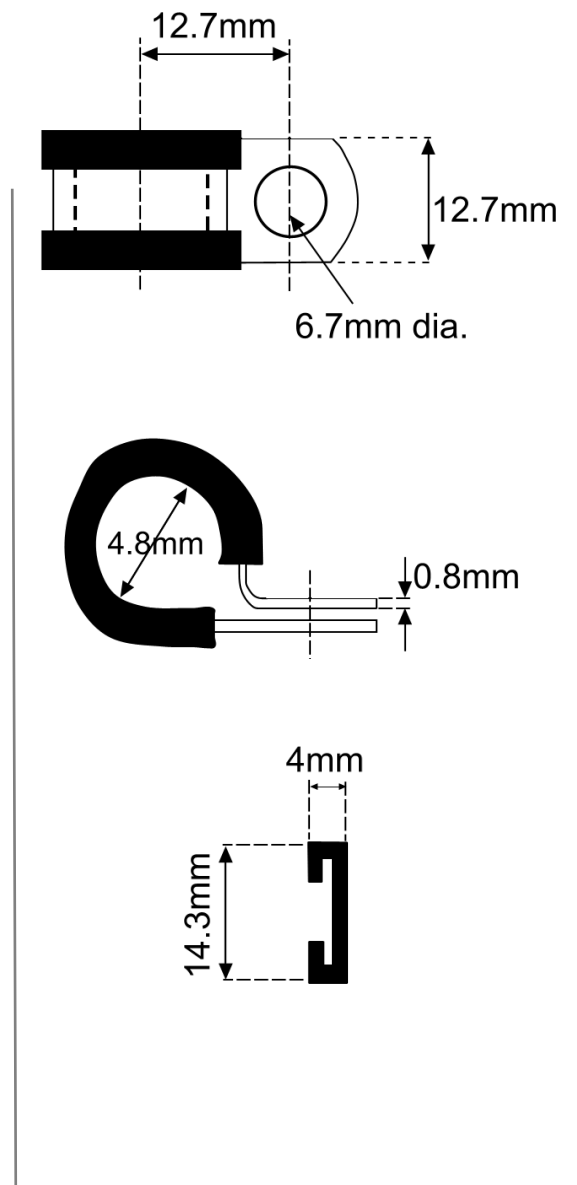
Signaline





<b>Model</b>	Signaline P Clip
<b>Dimensions</b>	12.7mm x 12.7mm x 16mm
<b>Pack size</b>	100 clips per pack.
<b>Pack weight</b>	approx. 0.6kg
<b>Mounting</b>	Wall or ceiling
<b>Material</b>	Clip: Stainless steel Insulator: UV & ozone proof nylon
<b>Colour</b>	Black and metallic

Fixing screw not included.



Visit [Signaline.com](http://Signaline.com) for our full range of heat detection solutions