



Q Clip

For Signaline Linear Heat Detectors



Suitable for EN54 installations

Rapid installation

Resistant to oils and greases

Stainless steel and nylon construction

Fire
detection



Signaline





Model	Signaline Q Clip
Pack size	100 clips per pack.
Pack weight	approx. 0.9kg
Mounting	Ceiling using M6 Screw or percussion nail
Material	Clip: Stainless steel Insulator: UV & ozone proof EPDM
Colour	Black liner, metallic clip

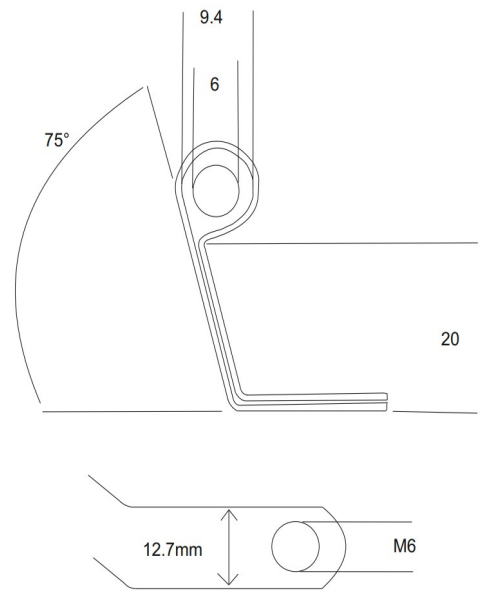
The Q-Clip is designed specifically to allow a 20mm stand-off between ceiling and Linear Heat detector, in accordance with EN54 part 28 and EN54 part 28.

The Q-Clip provides increased speed of installation being a single piece and removes the need for cable ties.

Made from stainless steel 316L, the clip provides extremely high chemical and atmospheric resistance as well as increased strength.

The Q-Clip can be used with all Signaline Linear Heat Detectors (accept FT-230 -X)

Fixing screw not included.



Visit Signaline.com for our full range of heat detection solutions