



YLI ELECTRONIC

Door Release Button

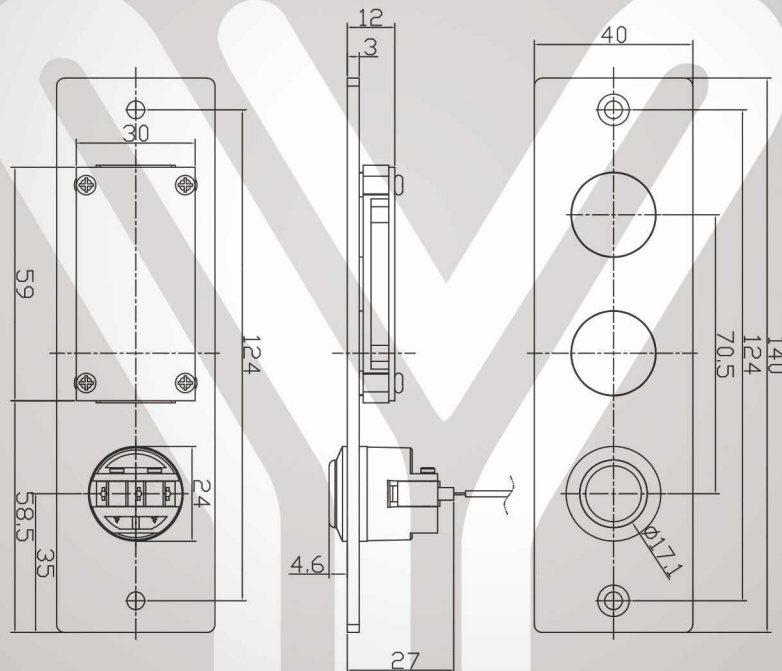
Model: PBK-813(LED)



Specification

- Size: 140Lx40xW27(mm)
- Input Voltage: 12~24VDC
- Current: ≤ 50mA
- Contact: NC(Yellow); NO(Green); COM(White)
- Electric Performance: 1A @ 30VDC
- Lock Signal: NC/COM/NO
- LED Status:
 - When NC and COM connect, LED shows green
 - When NO and COM connect, LED shows red
- Temperature: -20~+50°C
- Humidity: 0~95%RH

Dimensional Drawing



Installation & Wiring Diagram

